



# Product Specification

G101EVT04.0

AU OPTRONICS CORPORATION

- (v) Preliminary Specifications
- ( ) Final Specifications

<b>Module</b>	10.1 Inch Color TFT-LCD with Touch Function
<b>Model Name</b>	G101EVT04.0

<p><b>Customer</b> _____</p> <p><b>Date</b> _____</p> <p><b>Checked &amp; Approved by</b></p> <p>_____</p>	<p><b>Approved by</b></p> <p><u>Grace Hung</u>                      <u>2017/01/06</u></p> <p><b>Prepared by</b></p> <p><u>Jeff Fan</u>                              <u>2017/01/06</u></p> <p>General Display Business Division / AU Optronics corporation</p>
---	---



# Contents

- 1. Operating Precautions ..... 4**
- 2. General Description ..... 5**
  - 2.1 Display Characteristics ..... 5
  - 2.2 Optical Characteristics ..... 6
- 3. Functional Block Diagram ..... 9**
- 4. Absolute Maximum Ratings ..... 10**
  - 4.1 Absolute Ratings of TFT LCD Module ..... 10
  - 4.2 Absolute Ratings of Touch Sensor ..... 10
  - 4.3 Absolute Ratings of Environment ..... 10
- 5. Electrical Characteristics ..... 11**
  - 5.1 TFT LCD Module ..... 11
  - 5.2 Backlight Unit ..... 13
  - 5.3 Touch Sensor ..... 14
    - 5.3.1 Electrical Characteristics ..... 14
    - 5.3.2 Touch Driver Information ..... 14
    - 5.3.3 Touch Characteristics ..... 14
    - 5.3.4 Pin Assignment ..... 14
- 6. Signal Characteristic ..... 15**
  - 6.1 Pixel Format Image ..... 15
  - 6.2 Signal Description ..... 16
  - 6.3 The Input Data Format ..... 18
  - 6.4 Interface Timing ..... 19
  - 6.5 Power ON/OFF Sequence ..... 20
- 7. Reliability Test Criteria ..... 21**
- 8. Mechanical Characteristics ..... 22**
  - 8.1 Outline Dimension (Front View) ..... 22
  - 8.2 Outline Dimension (Rear View) ..... 23
- 9. Label and Packaging ..... 24**
  - 9.1 Shipping Label (on the rear side of TFT-LCD display) ..... 24
  - 9.2 Carton/Pallet Package ..... 24
- 10 Safety ..... 26**
  - 10.1 Sharp Edge Requirements ..... 26
  - 10.2 Materials ..... 26
  - 10.3 Capacitors ..... 26
  - 10.4 National Test Lab Requirement ..... 26



# Product Specification

G101EVT04.0

AU OPTRONICS CORPORATION

## Record of Revision

Version and Date	Page	Old description	New Description
0.0 2016/10/24	All	First draft specification	-
0.1 2017/01/06	5	-	White Luminance: 310min/360typ

AUO Confidential  
For PROMATE Internal Use Only  
20180115 11:10:08

AUO Confidential  
For PROMATE Internal Use Only  
20180115 11:10:08

AUO Confidential  
For PROMATE Internal Use Only  
20180115 11:10:08

AUO Confidential  
For PROMATE Internal Use Only  
20180115 11:10:08



## 1. Operating Precautions

- 1) Since front polarizer is easily damaged, please be cautious and not to scratch it.
- 2) Be sure to turn off power supply when inserting or disconnecting from input connector.
- 3) Wipe off water drop immediately. Long contact with water may cause discoloration or spots.
- 4) When the panel surface is soiled, wipe it with absorbent cotton or soft cloth.
- 5) Since the panel is made of glass, it may be broken or cracked if dropped or bumped on hard surface.
- 6) To avoid ESD (Electro Static Discharge) damage, be sure to ground yourself before handling TFT-LCD Module.
- 7) Do not open nor modify the module assembly.
- 8) Do not press the reflector sheet at the back of the module to any direction.
- 9) In case if a module has to be put back into the packing container slot after it was taken out from the container, do not press the center of the LED light bar edge. Instead, press at the far ends of the LED light bar edge softly. Otherwise the TFT Module may be damaged.
- 10) At the insertion or removal of the Signal Interface Connector, be sure not to rotate nor tilt the Interface Connector of the TFT Module.
- 11) TFT-LCD Module is not allowed to be twisted & bent even force is added on module in a very short time. Please design your display product well to avoid external force applying to module by end-user directly.
- 12) Small amount of materials having no flammability grade is used in the LCD module. The LCD module should be supplied by power complied with requirements of Limited Power Source (IEC60950 or UL1950), or be applied exemption.
- 13) Severe temperature condition may result in different luminance, response time and lamp ignition voltage.
- 14) Continuous operating TFT-LCD display under low temperature environment may accelerate lamp exhaustion and reduce luminance dramatically.
- 15) The data on this specification sheet is applicable when LCD module is placed in landscape position.
- 16) Continuous displaying fixed pattern may induce image sticking. It's recommended to use screen saver or shuffle content periodically if fixed pattern is displayed on the screen.
- 17) In order not to damage the touch panel, please remove the protected film as slow as possible in an environment with a humidity range from 60% to 80%



## 2. General Description

G101EVT04.0 is a Color Active Matrix Liquid Crystal Display composed of a TFT LCD panel, P-cap touch panel and LED backlight system. The screen format is intended to support the 16:10 WXGA, 1280(H) x800(V) screen and 262K colors (RGB 6-bits) with LED backlight driving circuit. All input signals are LVDS interface compatible.

### 2.1 Display Characteristics

The following items are characteristics summary under 25 °C condition:

Items	Unit	Specifications
Screen Diagonal	[inch]	10.1"
Active Area	[mm]	216.96(H) x 135.6(V)
Pixels H x V		1280 x 800
Pixel Pitch	[mm]	0.1695 X 0.1695
Pixel Arrangement		R.G.B. Vertical Stripe
Display Mode		MVA, Normally Black
Touch Input Mode		Muti Finger
Nominal Input Voltage VDD	[Volt]	3.3 (Typical)
Power Consumption	[Watt]	3.4 max. (Include Logic and Blu power)
Weight (Max.)	[Grams]	325
Physical Size (Max.)	[mm]	257.45 x 175.6 x 6.64 (PCBA side)
Electrical Interface		LCD: LVDS Touch panel: USB
Surface Treatment		AS coating only
Surface Hardness		9H
Support Color		262K (6bits) colors
Temperature Range Operating Storage (Non-Operating)	[°C] [°C]	-20 to +60 -30 to +70
RoHS Compliance		RoHS Compliance
Touch Operating System		Android 6.1

## 2.2 Optical Characteristics

The optical characteristics are measured under stable conditions at 25°C (Room Temperature):

Item	Unit	Conditions	Min.	Typ.	Max.	Note
White Luminance	[cd/m <sup>2</sup> ]	I <sub>LED</sub> = 22mA (5p average)	310	360	---	
Uniformity	%	5 points	70%	---	---	
Contrast Ratio			1000	1300	---	
Response Time	[msec]	Rising + Falling	---	25	35	
Viewing Angle	[degree]	Horizontal (Right) CR = 10 (Left)	80	85	---	
	[degree]		80	85	---	
	[degree]	Vertical (Upper) CR = 10 (Lower)	80	85	---	
	[degree]		80	85	---	
Color / Chromaticity Coordinates (CIE 1931)		Red x	0.513	0.563	0.613	
		Red y	0.278	0.328	0.378	
		Green x	0.281	0.331	0.381	
		Green y	0.527	0.577	0.627	
		Blue x	0.109	0.159	0.209	
		Blue y	0.083	0.133	0.183	
		White x	0.263	0.313	0.363	
		White y	0.279	0.329	0.379	
Color Gamut	%		---	45	---	

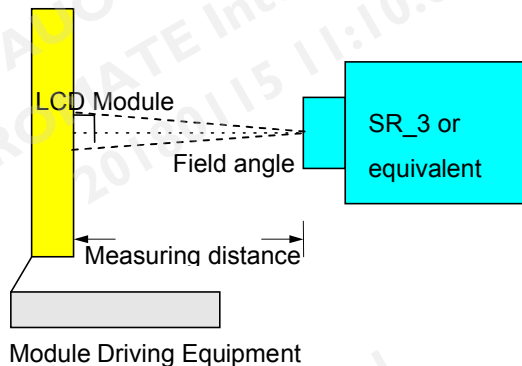
Note 1: Measurement method

Equipment Pattern Generator, Power Supply, Digital Voltmeter, Luminance meter (SR\_3 or equivalent)

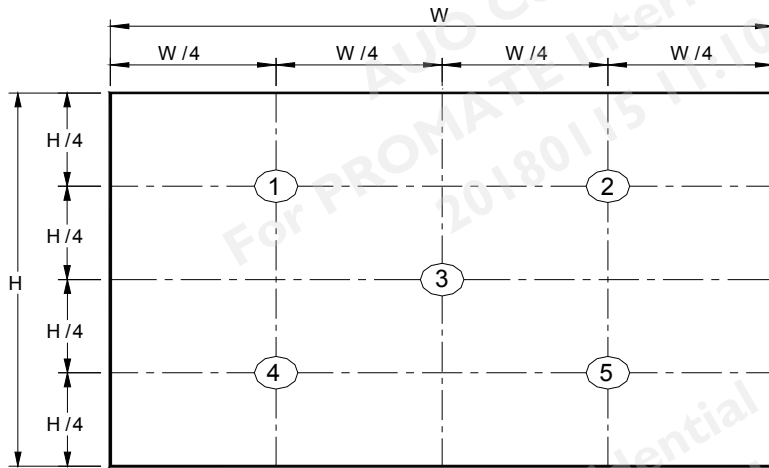
Aperture Field angle 2° with 50cm measuring distance

Test Point Follow Note 2 position

Environment < 1 lux



Note 2: Definition of 5 points position



Note 3: The luminance uniformity of 5 points is defined by dividing the minimum luminance values by the maximum test point luminance

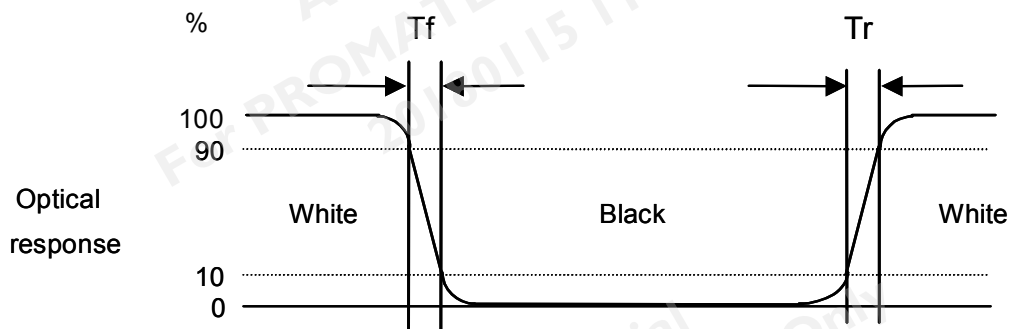
$$\delta_{w5} = \frac{\text{Minimum Brightness of five points}}{\text{Maximum Brightness of five points}}$$

Note 4: Definition of contrast ratio (CR):

$$\text{Contrast ratio (CR)} = \frac{\text{Brightness on the "White" state}}{\text{Brightness on the "Black" state}}$$

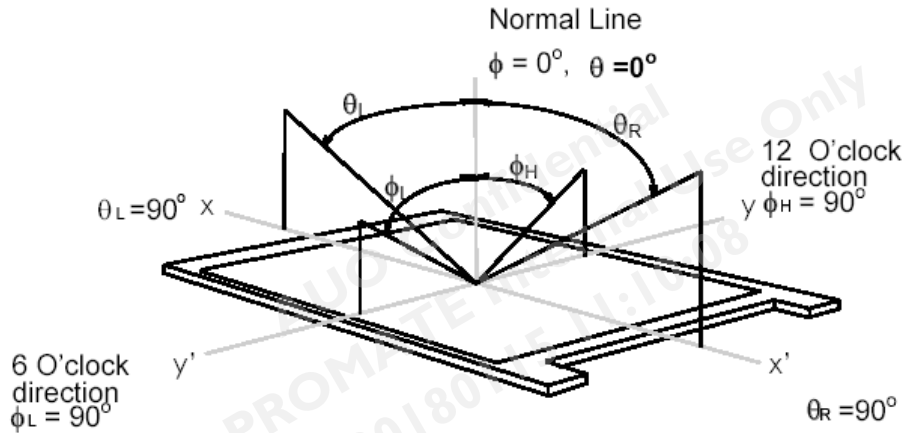
Note 5: Definition of response time:

The output signals of photo detector are measured when the input signals are changed from "White" to "Black" (falling time) and from "Black" to "White" (rising time), respectively. The response time interval is between 10% and 90% of amplitudes. Please refer to the figure as below.



Note 6: Definition of viewing angle

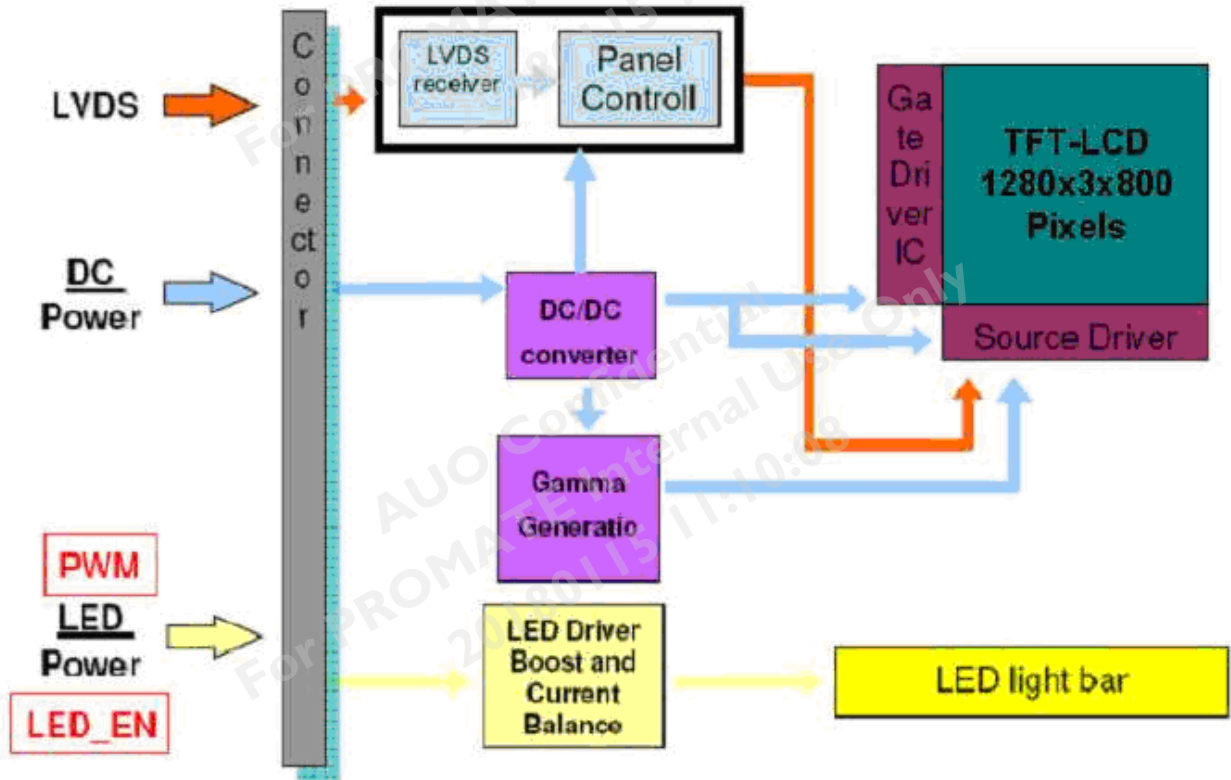
Viewing angle is the measurement of contrast ratio  $\geq 10$ , at the screen center, over a  $180^\circ$  horizontal and  $180^\circ$  vertical range (off-normal viewing angles). The  $180^\circ$  viewing angle range is broken down as below:  $90^\circ$  ( $\theta$ ) horizontal left and right, and  $90^\circ$  ( $\Phi$ ) vertical high (up) and low (down). The measurement direction is typically perpendicular to the display surface with the screen rotated to its center to develop the desired measurement viewing angle.





## 3. Functional Block Diagram

The following diagram shows the functional block of the 10.1 inch color TFT/LCD module:



AUO Confidential  
For PROMATE Internal Use Only  
2018/01/15 11:10:08

AUO Confidential  
For PROMATE Internal Use Only  
2018/01/15 11:10:08

## 4. Absolute Maximum Ratings

### 4.1 Absolute Ratings of TFT LCD Module

Item	Symbol	Min	Max	Unit
Logic/LCD drive Voltage	VDD	-0.3	+4.0	[Volt]
LCD Input Signal Voltage	V <sub>SIGNAL</sub>	-0.3	VDD+0.3	[Volt]

### 4.2 Absolute Ratings of Touch Sensor

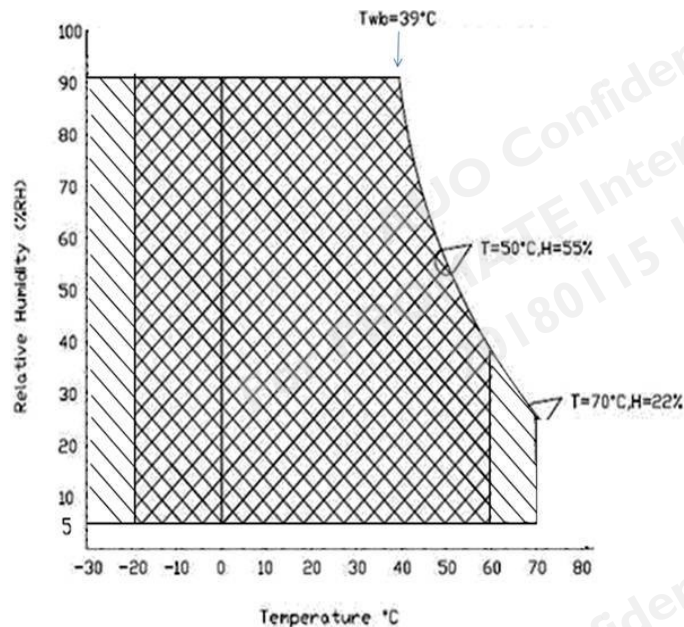
Item	Symbol	Rating	Unit	Conditions
Voltage from VCCIO to AGND and DGND	-	+3.3	[Volt]	-
Voltage from any pin to AGND and DGND	-	+3.3	[Volt]	-

### 4.3 Absolute Ratings of Environment

Item	Symbol	Min	Max	Unit
Operating Temperature	TOP	-20	+60	[°C]
Humidity	HOP	5	90	[%RH]
Storage Temperature	TST	-30	+70	[°C]

Note 1: Permanent damage to the device may occur if exceed maximum values

Note 2: Maximum wet-bulb temperature is less than 39°C and no condensation



Operating Range   
 Storage Range



### 5. Electrical Characteristics

#### 5.1 TFT LCD Module

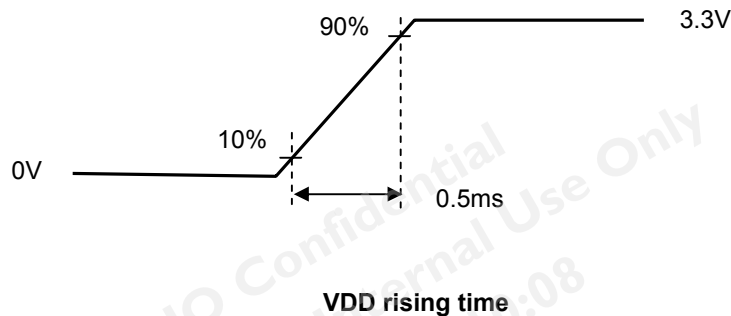
##### 5.1.1 Power Specification

The power specification are measured under 25°C and frame frequency under 60Hz

Symbol	Parameter	Min	Typ	Max	Units	Remark
VDD	Logic/LCD Drive Voltage	3.0	3.3	3.6	[Volt]	
IDD	VDD Current	-	170	245	[mA]	All Black Pattern (VDD=3.3V, at 60Hz)
Irush	LCD Inrush Current	-	-	1500	[mA]	Note 1
PDD	VDD Power	-	0.56	0.8	[Watt]	All Black Pattern (VDD=3.3V, at 60Hz)
VDDrp	Allowable Logic/LCD Drive Ripple Voltage	-	-	100	[mV] p-p	All Black Pattern (VDD=3.3V, at 60Hz)

Note 1 : Maximum Measurement Condition : White Pattern at 3.3V driving voltage. ( $P_{max}=V_{3.3} \times I_{white}$ )

Note 2 : Measure Condition



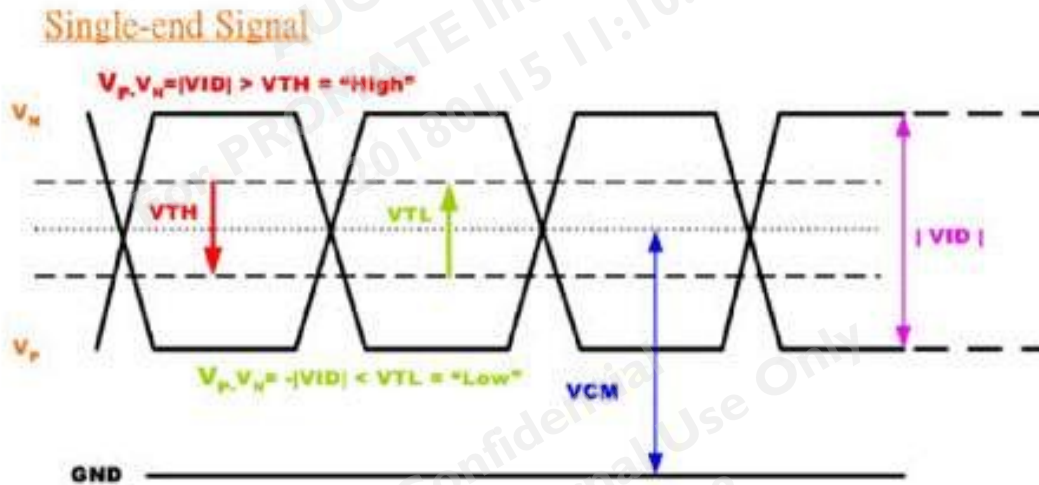
## 5.1.2 Signal Electrical Characteristics

Input signals shall be low or Hi-Z state when VDD is off.

Signal electrical characteristics are as follows;

Symbol	Item	Min.	Typ.	Max.	Unit	Remark
VTH	Differential Input High Threshold	---		100	[mV]	VCM=1.2V
VTL	Differential Input Low Threshold	-100		----	[mV]	VCM=1.2V
VID	Input Differential Voltage	100		600	[mV]	
VICM	Differential Input Common Mode Voltage	1.125		1.375	[V]	VTH/VTL=+-100mV

Note: LVDS Signal Waveform.





## 5.2 Backlight Unit

### 5.2.1 Parameter guideline for LED

Following characteristics are measured under a stable condition using an inverter at 25°C (Room Temperature):

Symbol	Parameter	Min.	Typ.	Max.	Unit	Remark
VLED	Input Voltage	---	14.5	16	[Volt]	I <sub>F</sub> =22mA per string
I <sub>VLED</sub>	Input Current	---	132	---	[mA]	I <sub>F</sub> =22mA per string
P <sub>VLED</sub>	Power Consumption	---	---	2.6	[Watt]	(Ta=25°C), Note2
I <sub>F</sub>	LED Forward Current	---	22	---	[mA]	Ta = 25°C
Operation Life	---	15000	20000	---	Hrs	(Ta=25°C), Note 2 I <sub>F</sub> =22mA

Note 1: Ta means ambient temperature of TFT-LCD module.

Note 2: V<sub>Light-bar</sub>, I<sub>Light-bar</sub>, P<sub>VLED</sub> are defined for LED backlight.(100% duty of PWM dimming)

Note 3: If G101EVT04.0 module is driven by high current or at high ambient temperature & humidity condition. The operating life will be reduced.

Note 4: Operating life means brightness goes down to 50% initial brightness. Minimum operating life time is estimated data.



### 5.3 Touch Sensor

#### 5.3.1 Electrical Characteristics

Item		Min.	Typ.	Max.	Unit	Remark
Power Supply		4.5	5	5.5	Voltage	
Power Supply Current	Normal Operation Mode	---	85	---	mA	
	Idle Mode	---	25	---	mA	
	Sleep Mode	---	10	---	mA	

#### 5.3.2 Touch Driver Information

Item	Driver information
Manufacturer	eGalax eMPIA Technology Inc.
Type / Part Number	EXC- 3160

#### 5.3.3 Touch Characteristics

Item	Specifications
Thickness	1.2 ± 0.1 (with ASF)
TP Active Area	219.92 mm x 138.82 mm
Substrate Material	SDL CS Glass
Single / Multi-touch Accuracy	Center: +/- 1mm Edge: +/- 1.5mm
Linearity	Center +/-1mm Edge:+-1.5mm
The smallest distance between 2 points	5 mm
Channel (X * Y)	46 * 29
Report Rate (points /sec)	>100Hz
Haze	3% (max.)

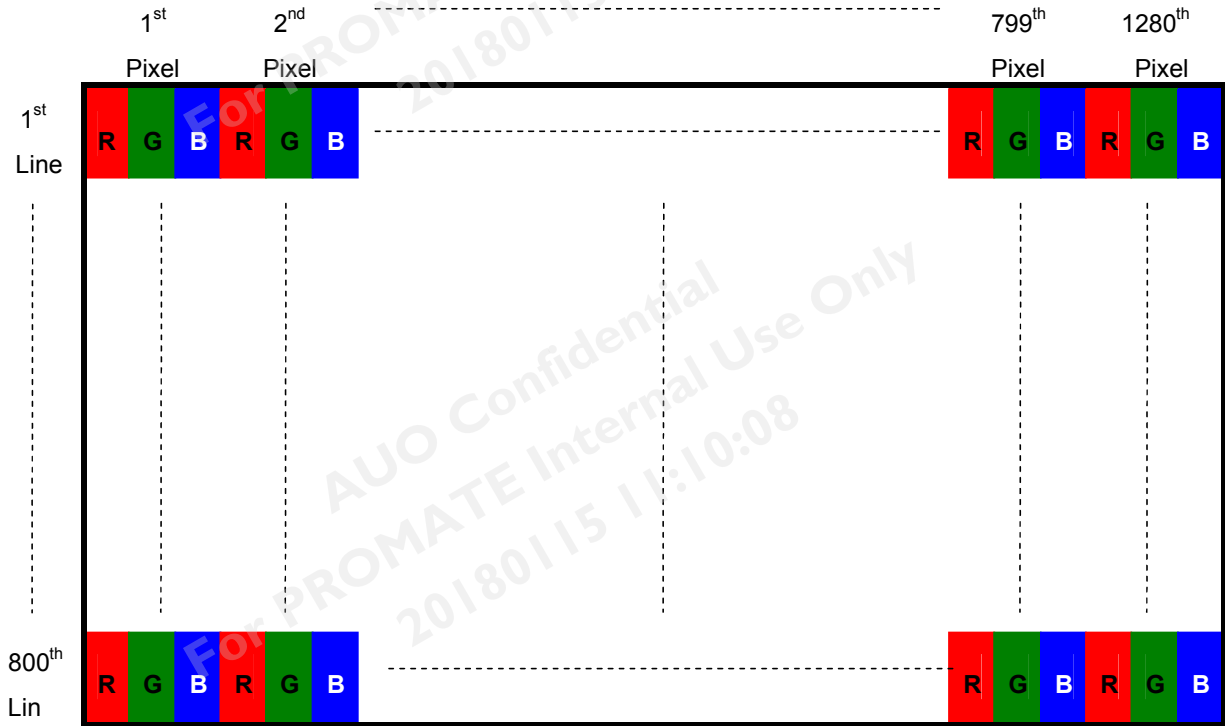
#### 5.3.4 Pin Assignment

PIN 1	VDD	5V
PIN 2	DM	D -
PIN 3	DP	D +
PIN 4	GND	Ground

## 6. Signal Characteristic

### 6.1 Pixel Format Image

Following figure shows the relationship between input signal and LCD pixel format.





## 6.2 Signal Description

The module uses a LVDS receiver embedded in AUO's ASIC. LVDS is a differential signal technology for LCD interface and a high-speed data transfer device.

### 6.2.1 LVDS Connector Description

Physical interface is described as for the connector on module.

These connectors are capable of accommodating the following signals and will be following components.

Connector Name / Designation	For Signal Connector
Manufacturer	JAE or Compatible
Type / Part Number	JAE HD1S040HA1 or Compatible
Mating Housing/Part Number	IPEX 20453-040T-11or Compatible

### 6.2.2 LVDS Pin Assignment

LVDS is a differential signal technology for LCD interface and high speed data transfer device.

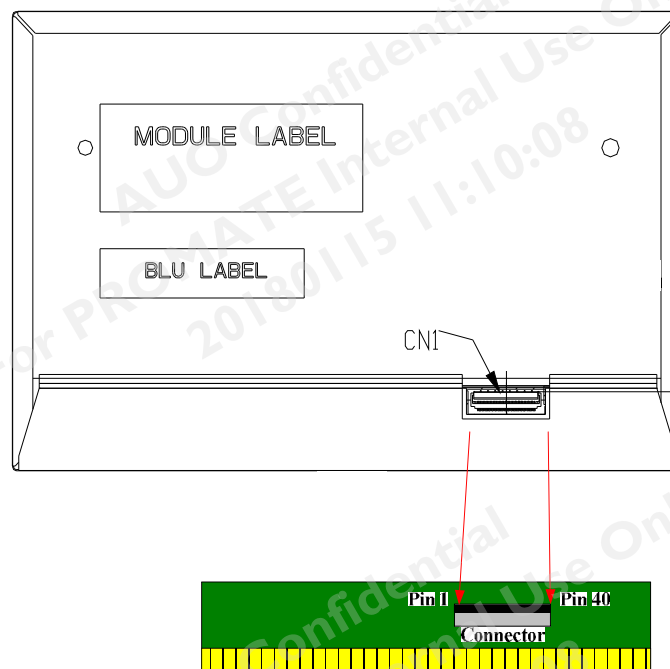
Pin No	Symbol	Function
1	NC	No Connection (Reserve)
2	VDD	Power Supply +3.3V
3	VDD	Power Supply +3.3V
4	VDD	Power Supply +3.3V
5	NC	No Connection (Reserve)
6	NC	No Connection (Reserve)
7	NC	No Connection (Reserve)
8	Rin0-	-LVDS differential data input(R0-R5,G0)
9	Rin0+	+LVDS differential data input(R0-R5,G0)
10	GND	Ground
11	Rin1-	-LVDS differential data input(G1-G5,B0-B1)
12	Rin1+	+LVDS differential data input(G1-G5,B0-B1)
13	GND	Ground
14	Rin2-	-LVDS differential data input(B2-B5,HS,VS,DE)
15	Rin2+	+LVDS differential data input(B2-B5,HS,VS,DE)
16	GND	Ground
17	CIKIN-	-LVDS differential clock input
18	CIKIN+	+LVDS differential clock input
19	GND	Ground-Shield
20	NC	No Connection (Reserve)
21	NC	No Connection (Reserve)
22	GND	Ground-Shield
23	NC	No Connection (Reserve)



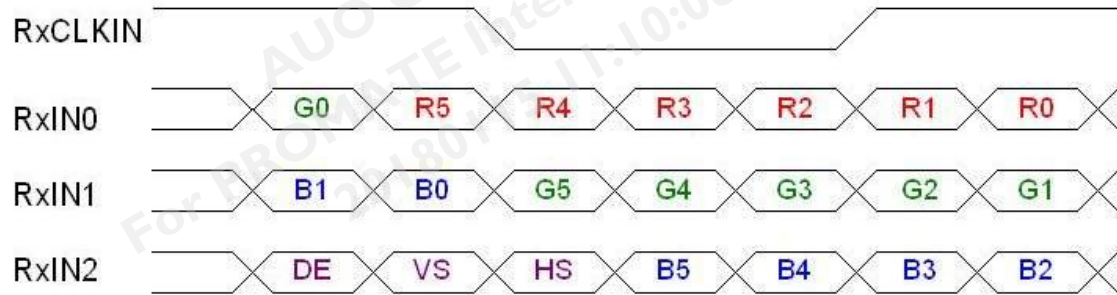
24	NC	No Connection (Reserve)
25	GND	Ground-Shield
26	NC	No Connection (Reserve)
27	NC	No Connection (Reserve)
28	GND	Ground-Shield
29	NC	No Connection (Reserve)
30	NC	No Connection (Reserve)
31	VLED_GND	LED Ground
32	VLED_GND	LED Ground
33	VLED_GND	LED Ground
34	NC	No Connection (Reserve)
35	VPWM_EN	System PWM Logic Input Level
36	VLED_EN	LED enable input level
37	NC	No Connection (Reserve)
38	VLED	LED Power Supply
39	VLED	LED Power Supply
40	VLED	LED Power Supply

Note 1: Input signals shall be low or High-impedance state when VDD is off.

Note 2: High stands for "3.3V", Low stands for "0V", NC means "No Connection".



## 6.3 The Input Data Format



Signal Name	Description	
R5 R4 R3 R2 R1 R0	Red Data 5 (MSB) Red Data 4 Red Data 3 Red Data 2 Red Data 1 Red Data 0 (LSB)	Red-pixel Data Each red pixel's brightness data consists of these 6 bits pixel data.
	Red-pixel Data	
G5 G4 G3 G2 G1 G0	Green Data 5 (MSB) Green Data 4 Green Data 3 Green Data 2 Green Data 1 Green Data 0 (LSB)	Green-pixel Data Each green pixel's brightness data consists of these 6 bits pixel data.
	Green-pixel Data	
B5 B4 B3 B2 B1 B0	Blue Data 5 (MSB) Blue Data 4 Blue Data 3 Blue Data 2 Blue Data 1 Blue Data 0 (LSB)	Blue-pixel Data Each blue pixel's brightness data consists of these 6 bits pixel data.
	Blue-pixel Data	
RxCLKIN	Data Clock	The signal is used to strobe the pixel data and DE signals. All pixel data shall be valid at the falling edge when the DE signal is high.
DE	Display Timing	This signal is strobed at the falling edge of RxCLKIN. When the signal is high, the pixel data shall be valid to be displayed.
VS	Vertical Sync	The signal is synchronized to RxCLKIN .
HS	Horizontal Sync	The signal is synchronized to RxCLKIN .

Note: Output signals from any system shall be low or High-impedance state when VDD is off.

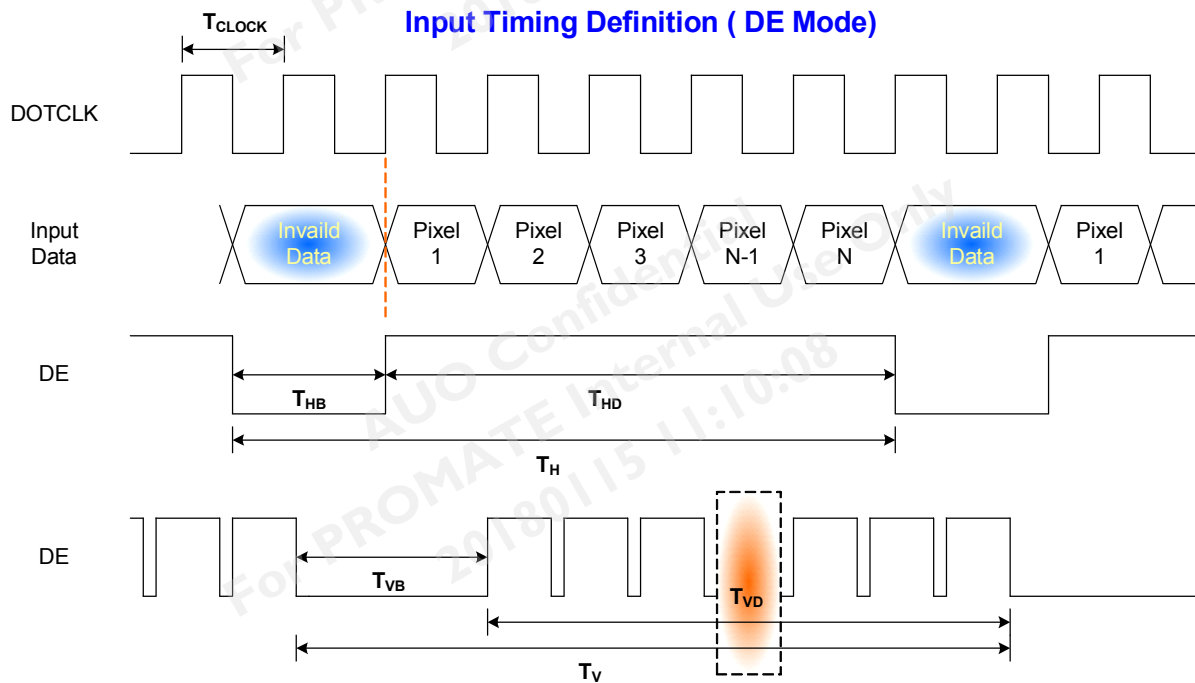
## 6.4 Interface Timing

### 6.4.1 Timing Characteristics

Signal	Symbol	Min.	Typ.	Max.	Unit	
Clock Frequency	$1/T_{\text{Clock}}$	64	68.93	85	MHz	
Vertical Section	Period	$T_V$	808	816	1023	$T_{\text{Line}}$
	Active	$T_{VD}$	800			
	Blanking	$T_{VB}$	8	16	223	
Horizontal Section	Period	$T_H$	1330	1408	2047	$T_{\text{Clock}}$
	Active	$T_{HD}$	1280			
	Blanking	$T_{HB}$	50	128	767	
Frame Rate	F	---	60	---	Hz	

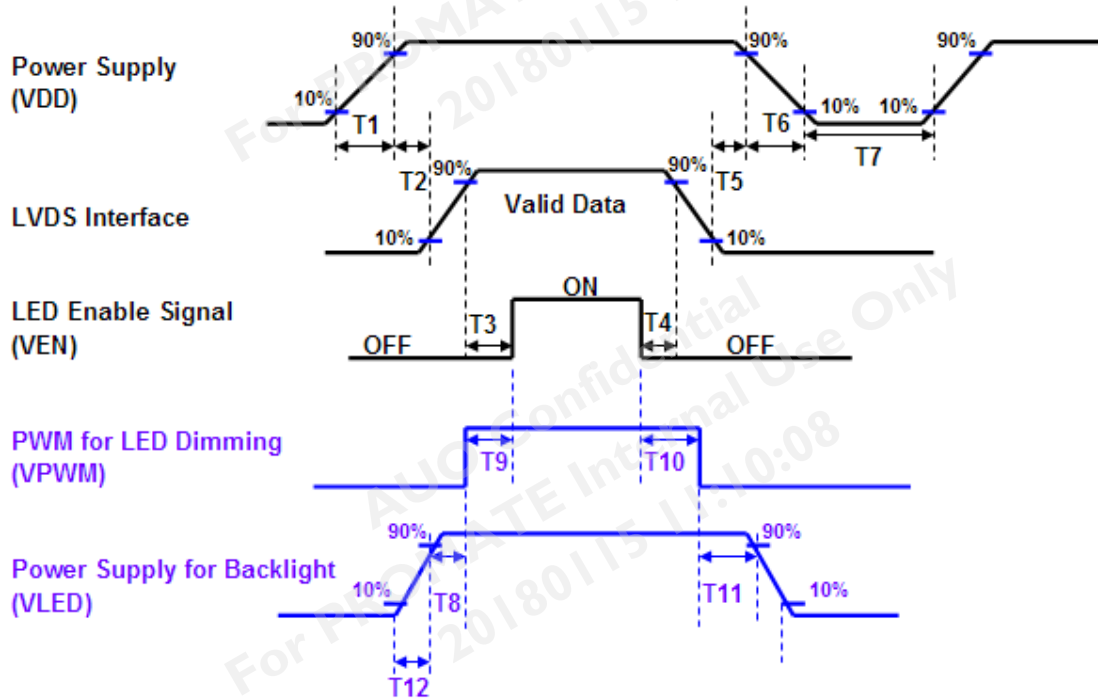
Note : DE mode.

### 6.4.2 Input Timing Diagram



## 6.5 Power ON/OFF Sequence

VDD power and lamp on/off sequence is as below. Interface signals are also shown in the chart. Signals from any system shall be Hi-Z state or low level when VDD is off.



**Power ON/OFF sequence timing**

Parameter	Value			Units
	Min.	Typ.	Max.	
T1	0.5		10	[ms]
T2	0		50	[ms]
T3	200		-	[ms]
T4	200		-	[ms]
T5	0		50	[ms]
T6	0		10	[ms]
T7	500		-	[ms]
T8	10		-	[ms]
T9	0		180	[ms]
T10	0		180	[ms]
T11	10		-	[ms]
T12	0.5		10	[ms]

The above on/off sequence should be applied to avoid abnormal function in the display. Please make sure to turn off the power when you plug the cable into the input connector or pull the cable out of the connector.



7. Reliability Test Criteria

Items	Required Condition	Note
Temperature Humidity Bias	40 °C /90%,300Hr	
High Temperature Operation	60 °C, 300Hr	
Low Temperature Operation	-20 °C, 300Hr	
Hot Storage	70 °C, 300Hr	
Cold Storage	-30 °C, 300Hr	
Thermal Shock Test	-30 °C /30 min , 70 °C /30 min , 20cycles	
Hot Start Test	70 °C /1 Hr min. power on/off per 5 minutes, 5 times	
Cold Start Test	-20 °C /1 Hr min. power on/off per 5 minutes, 5 times	
On/off test	On/10 sec, Off/10 sec, 30,000 cycles	
ESD	Contact : ± 8KV/ operation, Class B Air : ± 15KV / operation, Class B	Note 1

Note1: According to EN61000-4-2 , ESD class B: Some performance degradation allowed. No data lost . Self-recoverable. No hardware failures.

Note2:

- Water condensation is not allowed for each test items.
- Each test is done by new TFT-LCD module. Don't use the same TFT-LCD module repeatedly for reliability test.
- The reliability test is performed only to examine the TFT-LCD module capability.
- To inspect TFT-LCD module after reliability test, please store it at room temperature and room humidity for 24 hours at least in advance.



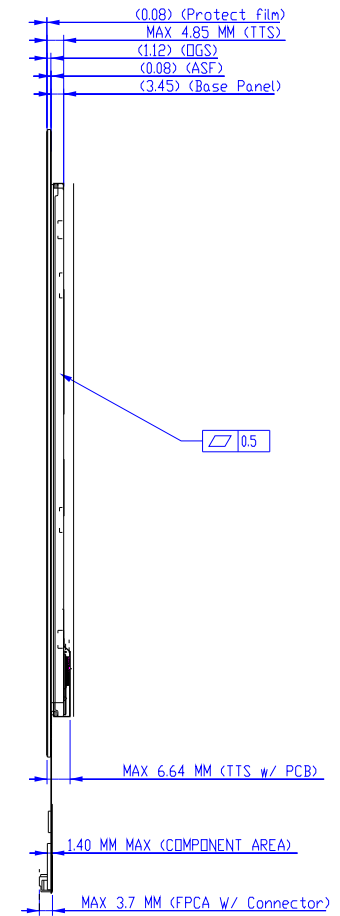
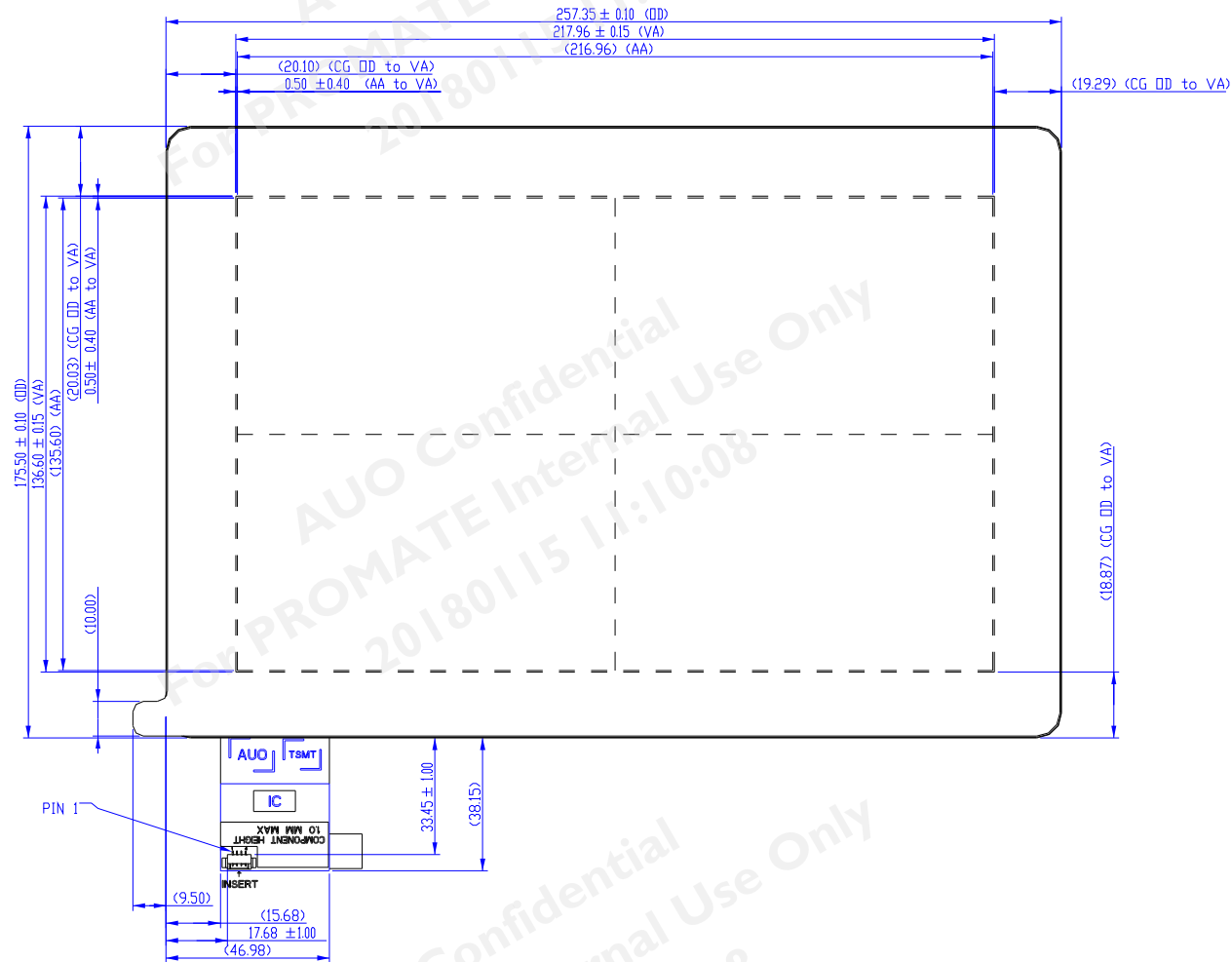
# Product Specification

AU OPTRONICS CORPORATION

G101EVT04.0

## 8. Mechanical Characteristics

### 8.1 Outline Dimension (Front View)



G101EVT04.0 rev.0.1

22/26

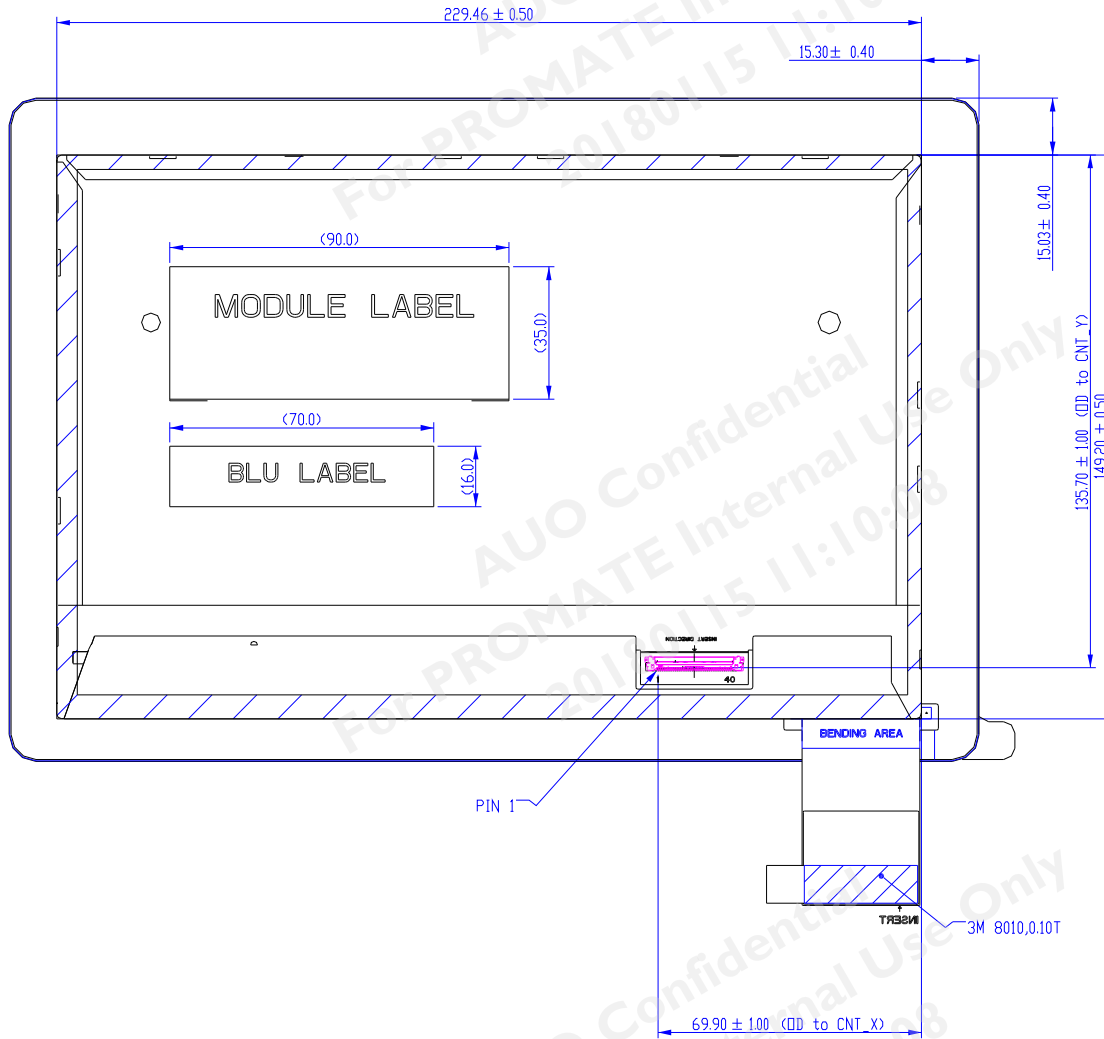


# Product Specification

AU OPTRONICS CORPORATION

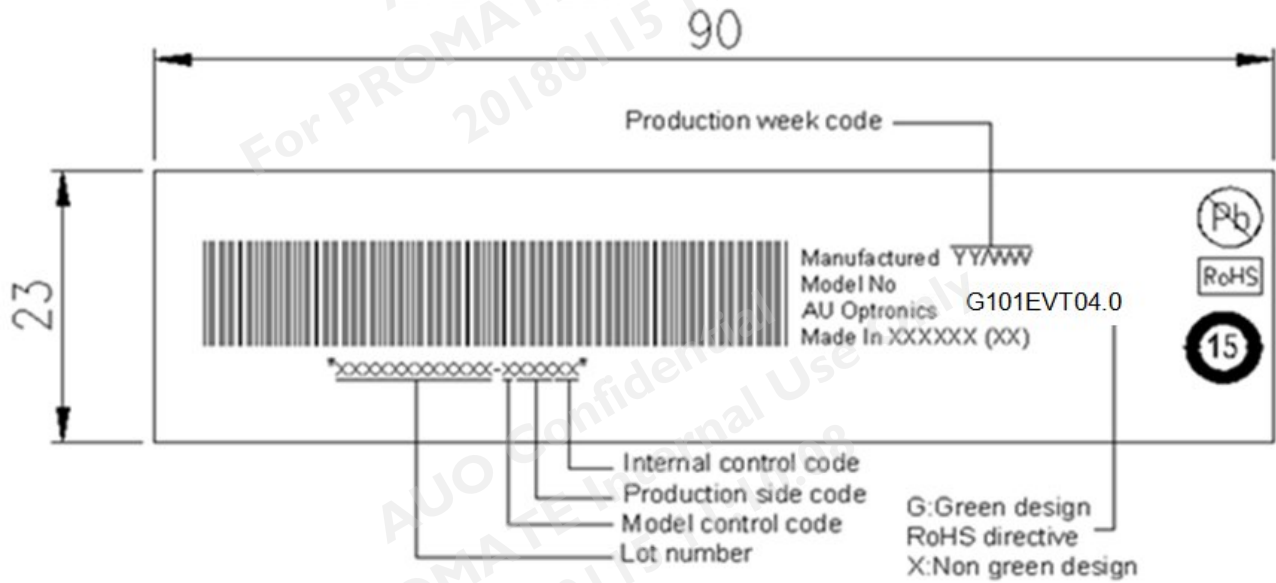
G101EVT04.0

## 8.2 Outline Dimension (Rear View)



## 9. Label and Packaging

### 9.1 Shipping Label (on the rear side of TFT-LCD display)



### 9.2 Carton/Pallet Package

#### 包裝流程圖

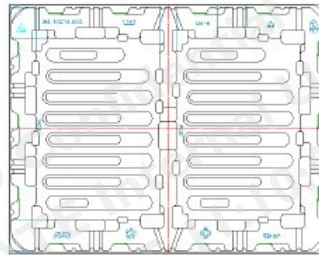
(初略圖例說明示意圖)

#### Packing instruction

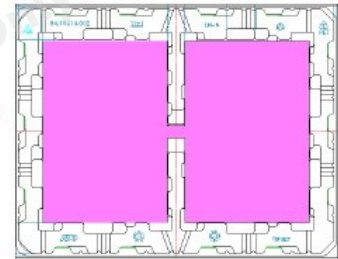
(Brief Illustration)



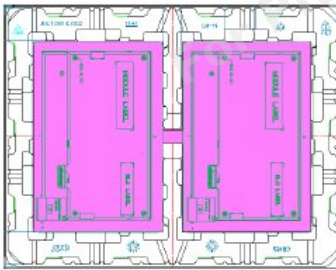
取出 PP 瓦楞板



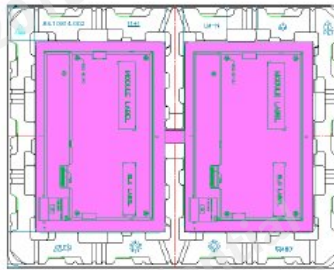
Tray 置放於 PP 瓦楞板上



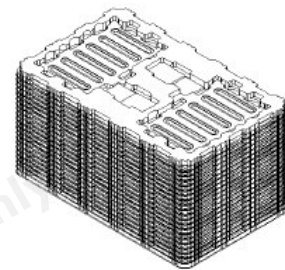
先放 1PCS EPE Spacer 于 Tray 中



將 CoverLens 正面朝下放置在  
Tray 中，即模組背面朝上



即 1PCS Tray 放入 2PCS  
Panel+1PCS EPE Spacer



Tray 依上述方式依序正向堆疊，  
共堆疊 12 層  
(Module 共 22 片，最上面第 12 個  
tray 是空的)





完成堆疊的 tray 放入靜電袋中，並使用 tape 封口



底面和四周的 EPE cushion 放入紙箱



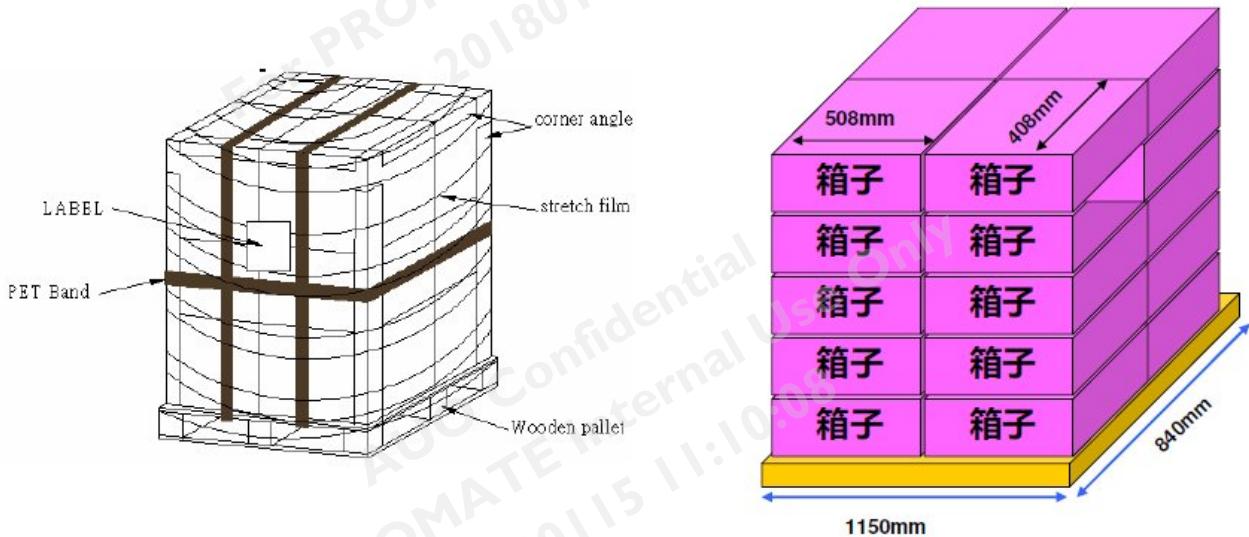
將包好靜電袋的 tray 整摺放入紙箱中



放入上层 EPE cushion



Tape 封紙箱



### Box stacked

工厂入库层数: 5 层

Module by air : (2 \* 2) \* 5 layers , one pallet put 20boxes , total 440pcs module

Module by sea : One pallet (2 \* 2) \* 5 layers + One pallet (2 \* 2) \* 1 layers

Total 528pcs module

Module by sea\_ HQ : One pallet (2 \* 2) \* 5 layers + One pallet (2 \* 2) \* 2 layers

Total 616pcs module



## 10 Safety

### 10.1 Sharp Edge Requirements

There will be no sharp edges or comers on the display assembly that could cause injury.

### 10.2 Materials

#### 10.2.1 Toxicity

There will be no carcinogenic materials used anywhere in the display module. If toxic materials are used, they will be reviewed and approved by the responsible AUO toxicologist.

#### 10.2.2 Flammability

All components including electrical components that do not meet the flammability grade UL94-V1 in the module will complete the flammability rating exception approval process.

The printed circuit board will be made from material rated 94-V1 or better. The actual UL flammability rating will be printed on the printed circuit board.

### 10.3 Capacitors

If any polarized capacitors are used in the display assembly, provisions will be made to keep them from being inserted backwards.

### 10.4 National Test Lab Requirement

The display module will satisfy all requirements for compliance to:

UL 60950-1 second edition

U.S.A. Information Technology Equipment