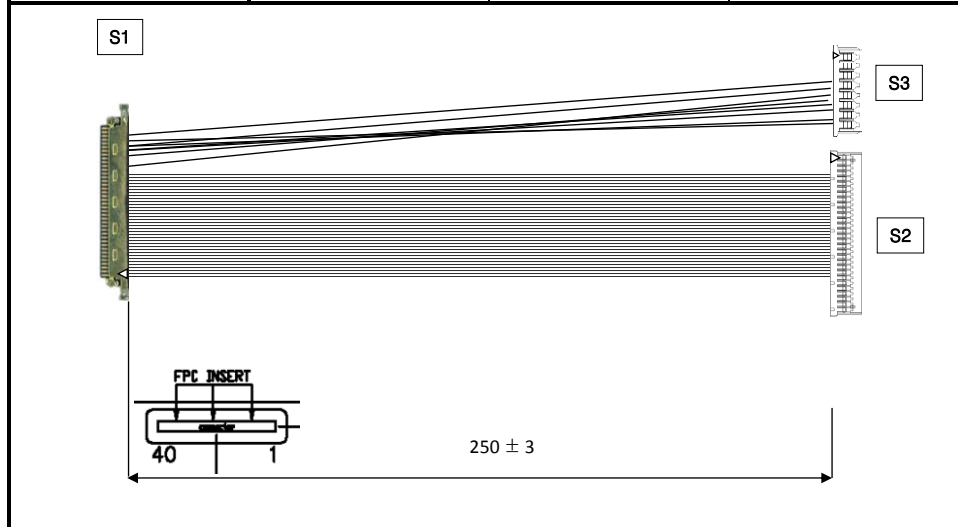
	TITLE IFC-AM1280800N3TZQW-44-250		
	PART, NO 188-02511		
	Ver. 1		
	DIMENSION mm	REQUEST	1603301
Drawing	CHECKED	APPROVED	
Name	Rybalko		
Date	30.03.2016		



S1			S2	S3
1	VCOM	nc		
2	VCC		30	
3	VCC		29	
4	nc	nc		
5	nc	nc		
6	nc	nc		
7	GND	nc		
8	RX00-	}	22	
9	RX00+		21	
10	GND		25	
11	RX01-	}	20	
12	RX01+		19	
13	GND		24	
14	RX02-	}	18	
15	RX02+		17	
16	GND		23	
17	RXOC-	}	16	
18	RXOC+		15	
19	GND		12	
20	RX03-	}	14	
21	RX03+		13	
22	GND	nc		
23	LED_GND			8
24	LED_GND			7
25	LED_GND	nc		
26	nc	nc		
27	LED_PWM			6
28	LED_EN			5
29	CABC_EN	nc		
30	nc	nc		
31	LED_VCC			2
32	LED_VCC			1
33	LED_VCC	nc		
34	nc	nc		
35	BIST	nc		
36	nc	nc		
37	nc	nc		
38	nc			
39	nc			
40	nc			

	Description
S1	F62240-H1210A (Vigorconn) or equ.
S2	DF14-30S-1.25C (Hirose) or equ.
S3	51021-0800 (Molex) or equ.
}	twisted pairs